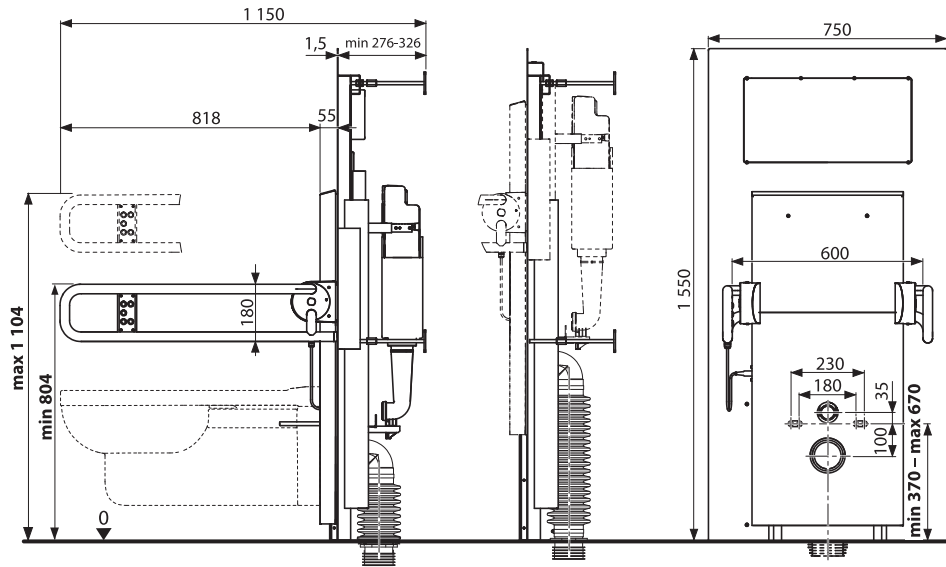
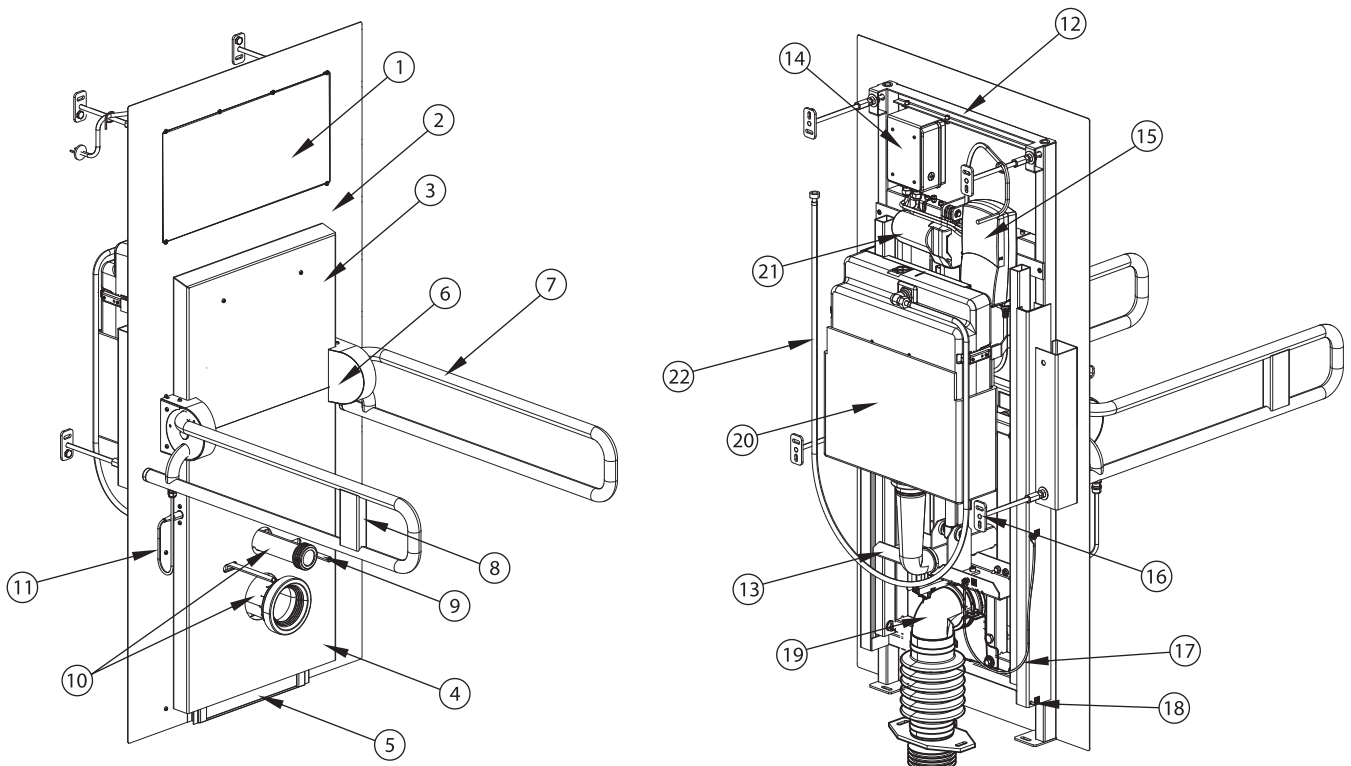


**AM101/1500L****1) Technical drawing****2) Description of the system**

It is a specially modified WC module designed for people with reduced mobility. For example, for persons after a joint surgery, lower limb surgery, or older people with limited mobility of lower limbs. This WC module serves as a mounting frame for dry installation in front of a bearing wall (as a rule, into a plasterboard separating wall). It is equipped with an electric linear drive (actuator), which enables adjustment of the WC pan height within the range up to 300 mm. The module among others includes two tilting handles with an electric control panel. It enables the user not only to displace the bowl up and down, but also to flush it (small or big flushing), or - if necessary - to call for help.



1. Service window cover
2. Firm frame cover
3. Movable frame cover
4. Movable frame cover under the WC pan
5. Waste shutter
6. Handle joint cover
7. Handle for disabled people
8. Control panel
9. Fixation set for the WC
10. Connecting set for the waste and water connection to the WC
11. Connecting cable of the control panel with the control electronics

12. Firm frame
13. Movable frame
14. Wiring box for the electronics
15. Control unit with a connecting transformer
16. Fixation set
17. Interconnecting earthing cable between the firm and movable frame
18. Place for the connection of the earthing conductor
19. Guiding cage for waste
20. Cistern
21. Linear drive
22. Water supply hose

3) Table of Content

Table of Content

1. Technical drawing.....	str. 1
2. Description of the system.....	str. 1
3. Table of content.....	str. 2
4. Technical parameters.....	str. 2
5. Content of packign.....	str. 2
6. Important safety instructions.....	str. 3
7. Transportation and utilization of packages.....	str. 3
8. Mounting procedure.....	str. 4-10
9. Adjustment of the spontaneous-fall brake for the handles for disabled people.....	str.10
10. Service of the system.....	str. 10
11. Service of armatures in the cistern of the module.....	str. 11-12
12. Service - replacement of the flexible waste tube of the AM101/1500L WC module.....	str.12
13. Adjustment of the flushing volume.....	str.13
14. Connection of the alarm button.....	str.14
15. Covers after service.....	str.15
16. The use of the system.....	str. 15-16
17. Control of the WC module.....	str.16
18. Electric wiring.....	str. 17-18
19. Utilization of the system.....	str. 19
20. ES Declaration of conformity.....	str. 19
21. Anchorage method	str. 20

List of important used symbols



Risk of electrical injury



Danger of pressuring, compressing or squeezing



Risk of injury by a sharp part of the system



Designation of risk, danger or safety instruction



Important precaution



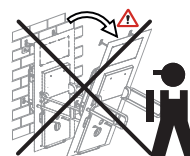
Handling or mounting by at least two persons



Important instructions for the commencement of each service of this system



Important instructions for the final of each service of this system



Danger of module falling

4) Technical parameters

Technical parameters	
Type:	AM101/1500L
Product weight: (without package)	90 kg
Operation loading:	Max. 200 kg – only 1 person
Loading capacity according to EN 997	400 kg (handle for disabled people - only 200 kg)
Range of height adjustment of the WC pan position	300mm
Input:	100-240V-AC, 50/60Hz, 2500mA
Allowable mounting zone in premises with a bathtub or shower and washing premises according to ČSN 33200-7-701 (HD 60364-7-701, DIN VDE 0100-701)	Only zone 3
Protection level – valid for the fully inbuilt WC module according to the manual	IP45
Connection for water supply:	G 3/8"
Operating pressure of water supply:	min. 0,15MPa - max. 0,8MPa
Connection to the waste piping	DN 110mm
WC pan flush (small / big flushing)	3/6 L - adjusted by the manufacturer. Possibility of user adjustment
Noisiness:	< 70dB
Material for module covering:	Stainless-steel AISI 316L (1.4404)
The control panel of the system is equipped with a calling button, which can be connected with the hospital emergency calling system.	

Operating conditions

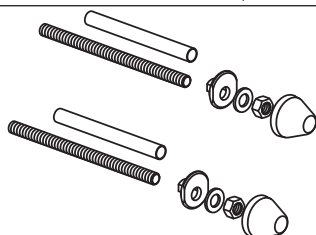
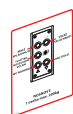
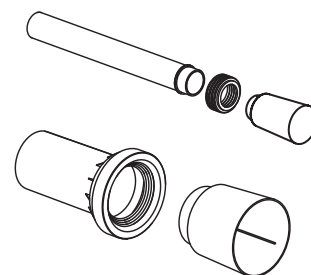
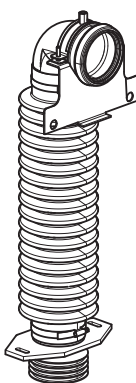
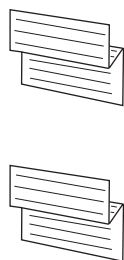
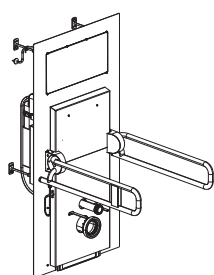
Ambient temperature: 5°C - 50°C
Relative humidity: 0% - 95% without condensation

Storage conditions

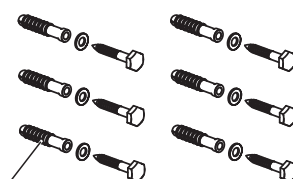
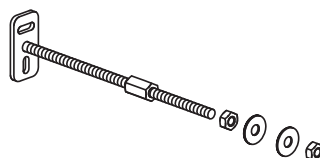
Ambient temperature: -20°C - 70°C
Relative humidity: 0% - 80% without condensation

5) Content of package:

The delivered set includes:



4x



see Table in page 20

Dodávka neobsahuje:

Electric outlet
Angle valve G3/8"
Cable grommet PG9-IP67
Toilet bowl

6) Important safety instructions



EN

Use the product only in accordance with the manual. In case of failure to observe the operating procedure or to observe the parameters for the electric connection of the system, the product can be damaged or an electric injury can occur. The connection to the electrical power network can be only performed by an electrician with an appropriate valid authorization, according to the legislation and regulations of the given state. Installation and service of the AM101/1500L system can be only performed by persons properly trained and authorized directly by the manufacturer of this system.

ATTENTION!!! CORRESPONDING POWER SUPPLY CIRCUIT MUST BE PROTECTED BY AN EARTH-LEAKAGE CIRCUIT-BREAKER During mounting in bath-rooms, shower-rooms and washing premises, where the system can be in contact with humidity, it is necessary to observe all regulations, which are valid in the place and time of installation. In premises with a bathtub, shower or wash-basin, it is prohibited to install this system in Zone 0, Zone 1 and Zone 2 according to ČSN 332000-7-701, DIN VDE 0100-701. The seller bears no responsibility for the defects or losses caused by (1) installation performed in conflict with the manual, (2) installation performed in violation of the legal provisions valid in the place and time of installation, (3) installation performed by a person who doesn't comply with the requirements for the performance of this installation, which are defined by the legal provisions valid in the place and time of installation.

- Mounting must be performed by at least two persons.



Secure the system during mounting against falling.

The product is not designed for the manipulation with loads. It can be only used for height adjustment of the WC pan, on which only one person with a weight up to 200 kg is allowed to seat during manipulation.

The product has to be only operated in a state completely inbuilt according to the manual. Part of the module behind its front stainless-steel cover has to be inaccessible from all sides for persons (danger of injury). This part further must be integrated to fully exclude a possible access for water, humidity and dustiness.

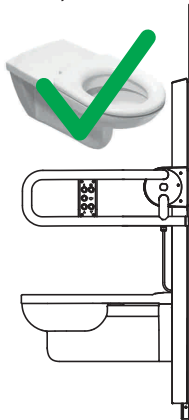


While manipulating, installing and servicing the product, use personal protective equipment (gloves, protecting working shoes...).

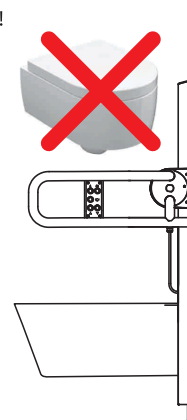


Before each work with the system (its service), isolate the system from power supply.

No modifications may be performed with the structure and electric wiring of this system. It is necessary to call the manufacturer or a service organization authorized by the manufacturer.



It is prohibited to mount whole-bonneted WC ceramics!



7) Transportation and utilization of packages

To exclude damaging the WC module during its transportation, it is transported in a wood box. After having unpacked the product, it is necessary to return the wood box back to the manufacturer. It is possible to manipulate with the product which is in the wood box with help of a fork-lift or pallet truck.

The total weight of the product including its package is 195 kg.

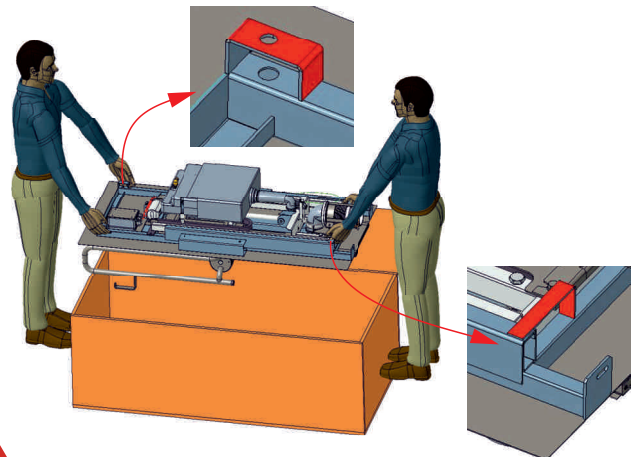
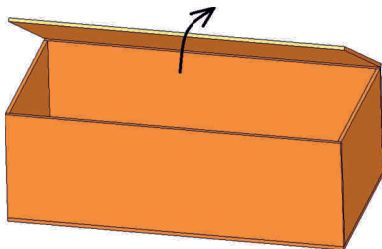
The weight of the WC module without the package is 90 kg.

Unpacking:

1. Place the wood box on a straight and firm floor and open its cover.

2. Remove the WC module from the wood box.

With regards to the product weight (90 kg), it is necessary at least two persons to manipulate with it.

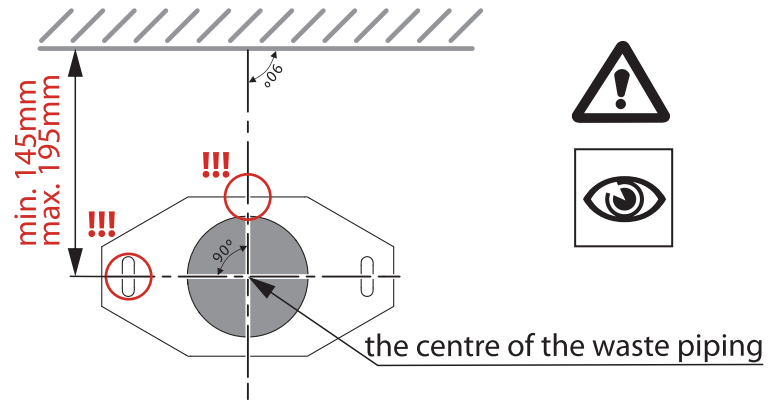
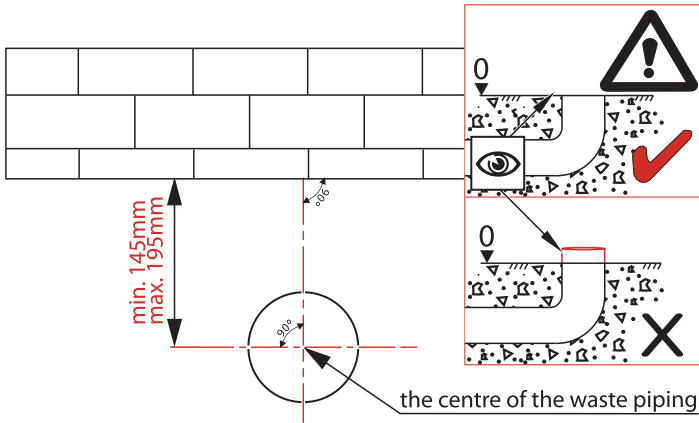
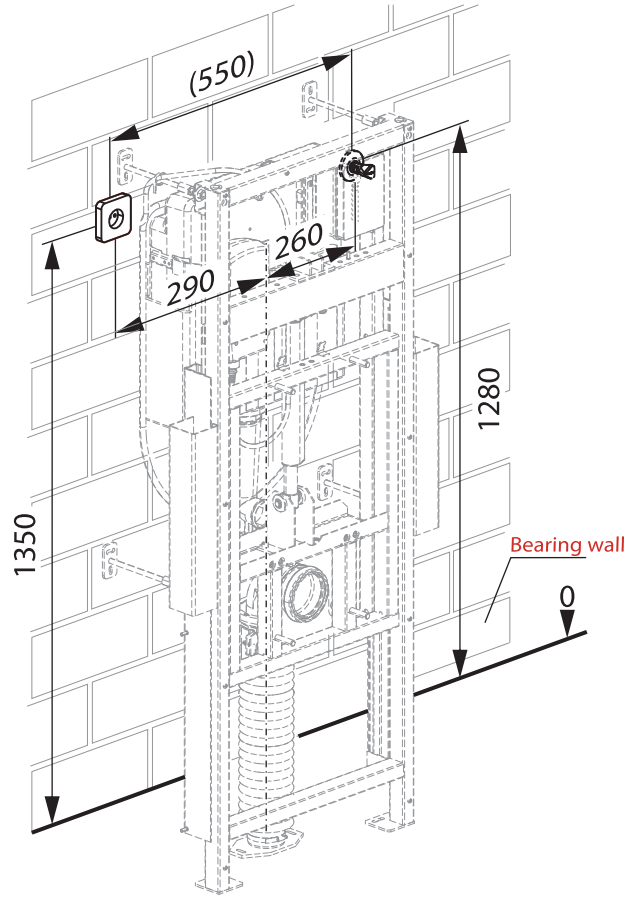
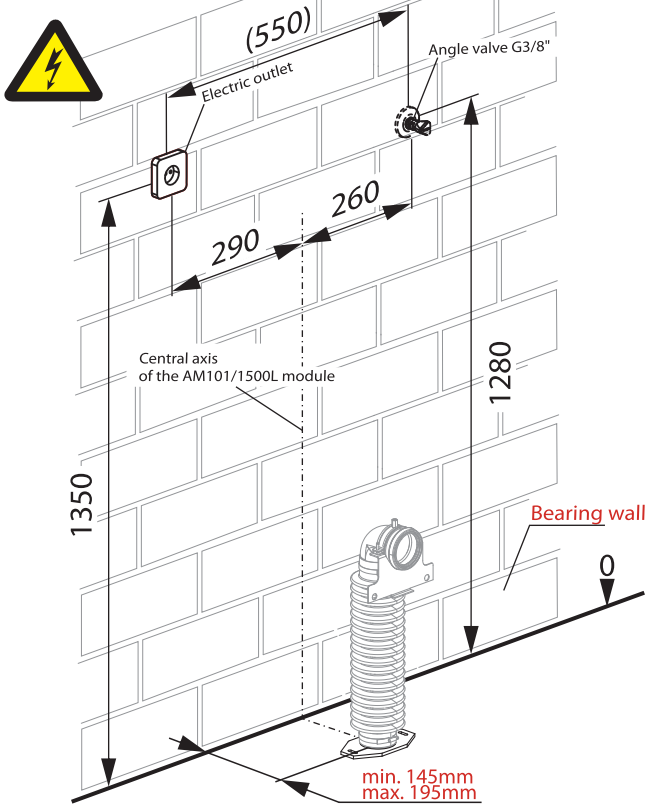


While manipulating with the wood box, it is necessary to direct the tilting cover upward. Packing material (for example, foil, EPS fillers) can be dangerous for children. Danger of asphyxiation! Put all packing material out of reach of children. Hold the product by its firm frame during manipulation. If you hold the product by other parts, the product can be damaged.

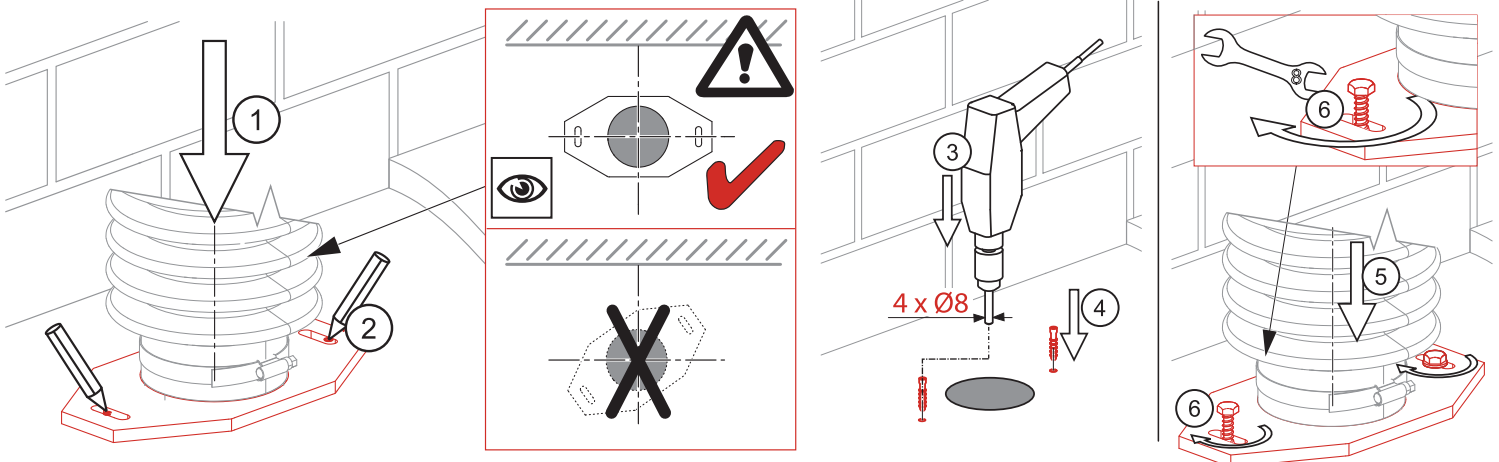
8) Installation procedure

8-1

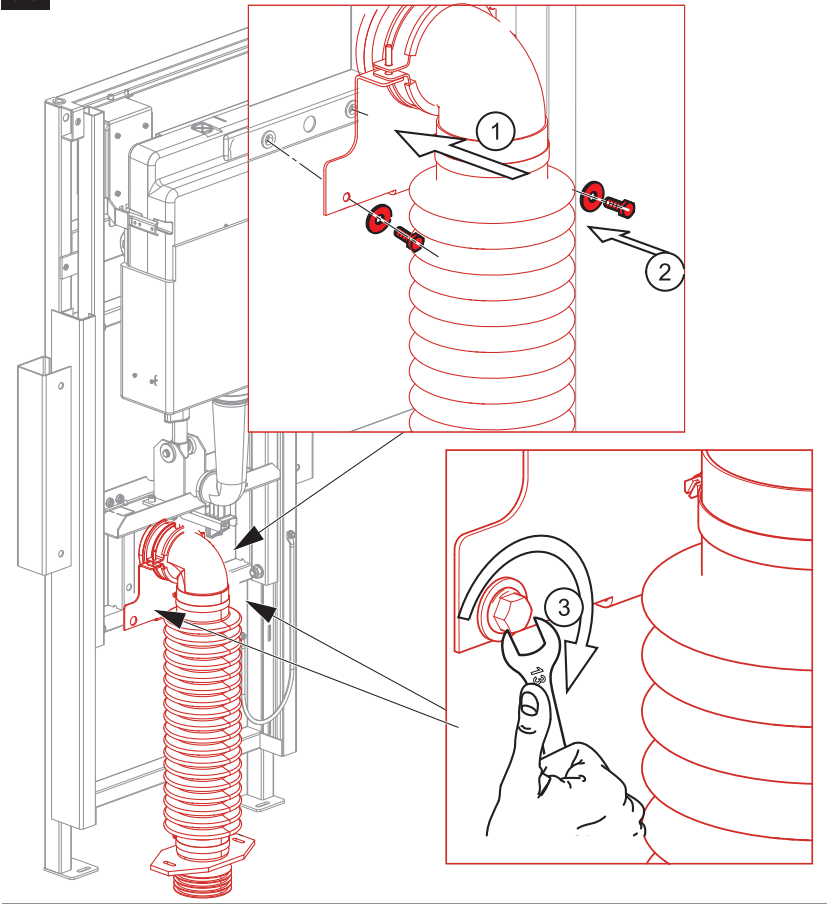
The electric power supply line has to serve only for the connection of this system. Don't use multiple electric outlets. It is prohibited to use adapters, other types of network hubs and network extension cables. Neither electric outlet nor an angle valve is part of the package.



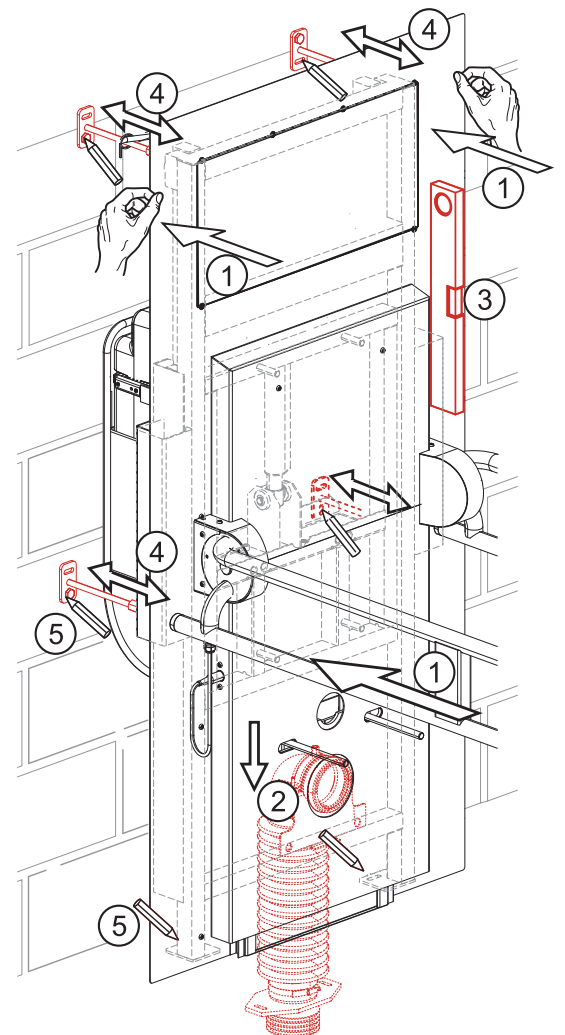
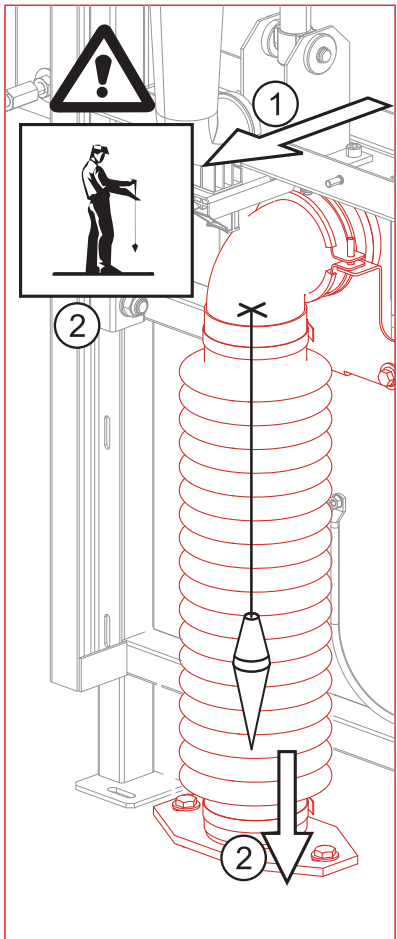
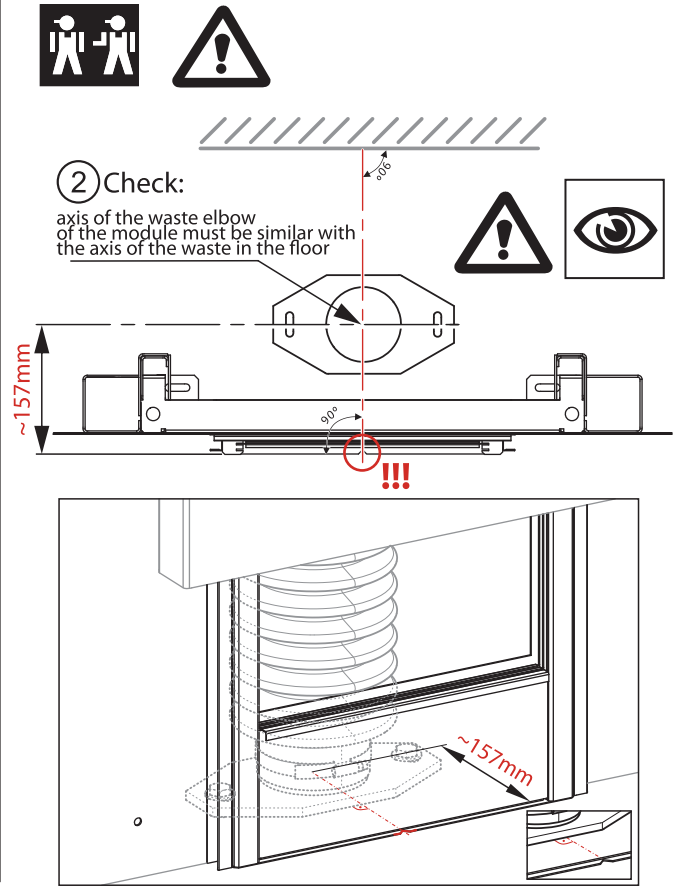
8-2



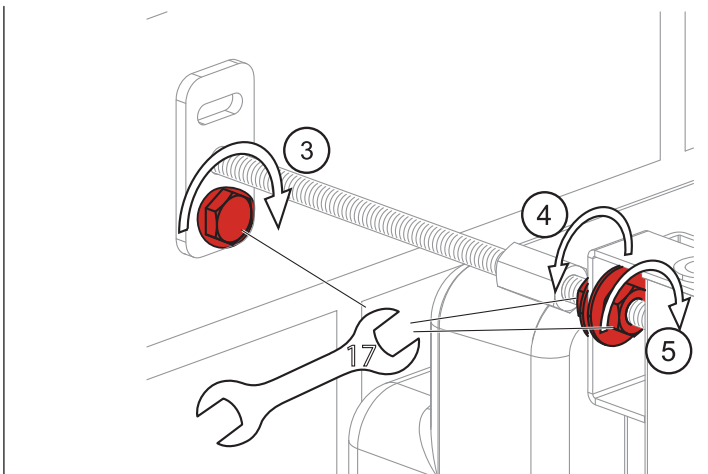
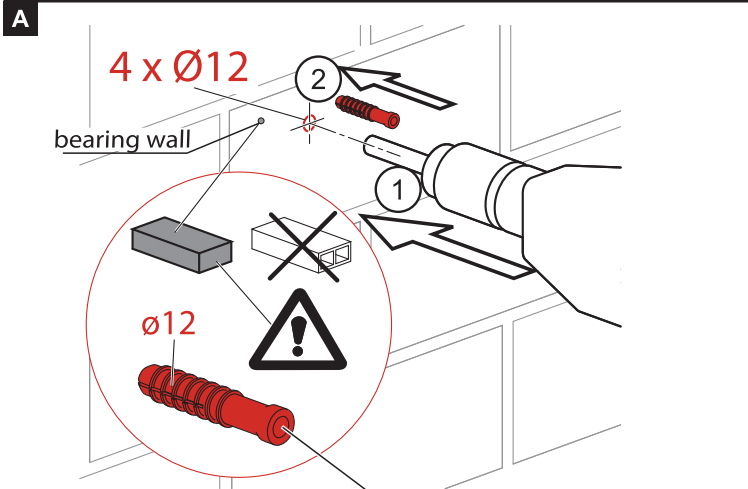
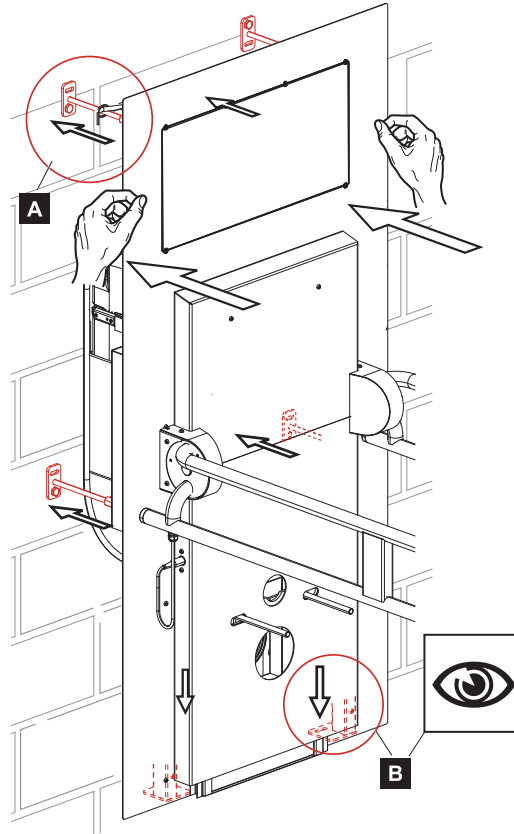
8-3



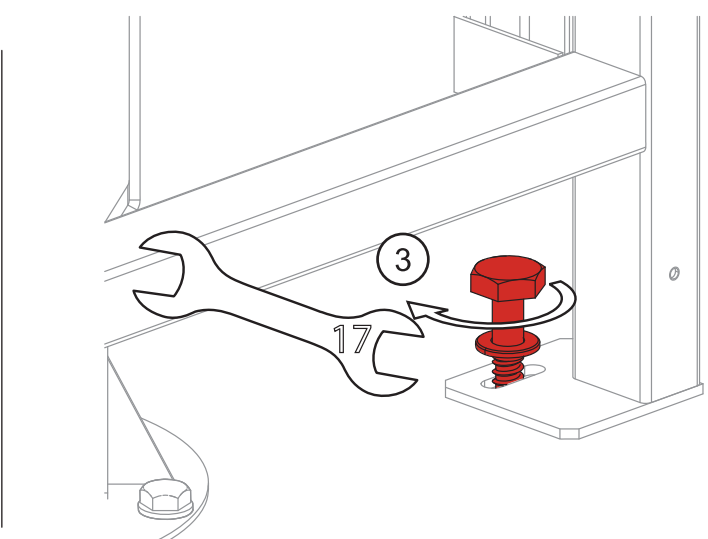
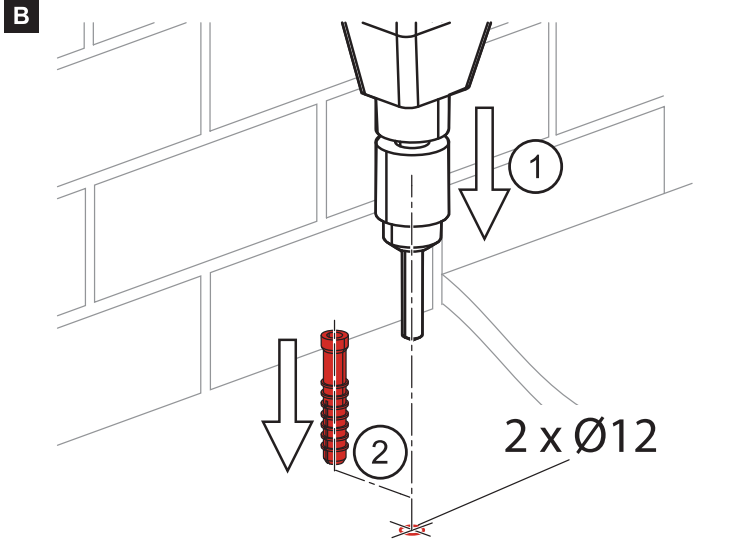
8-4



8-5



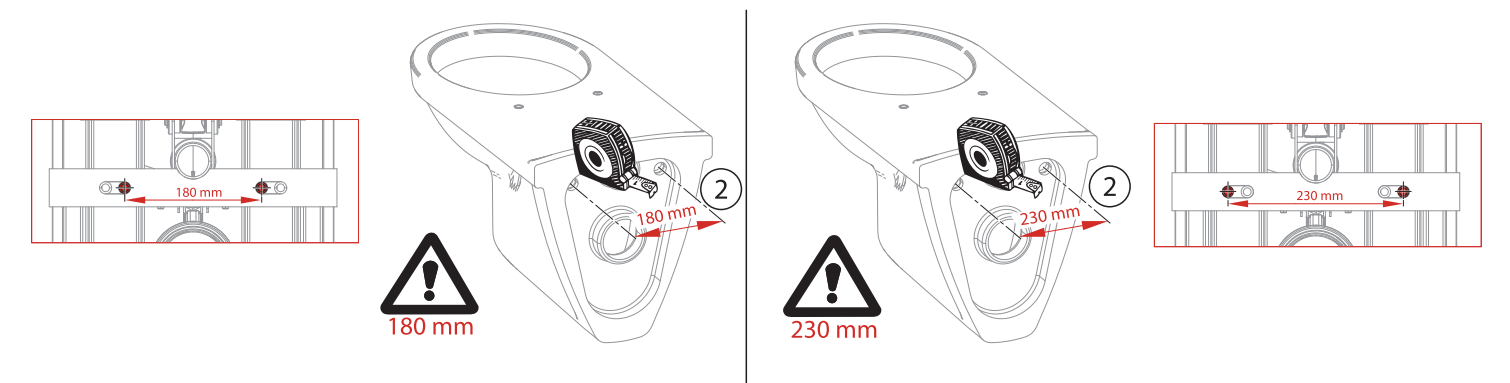
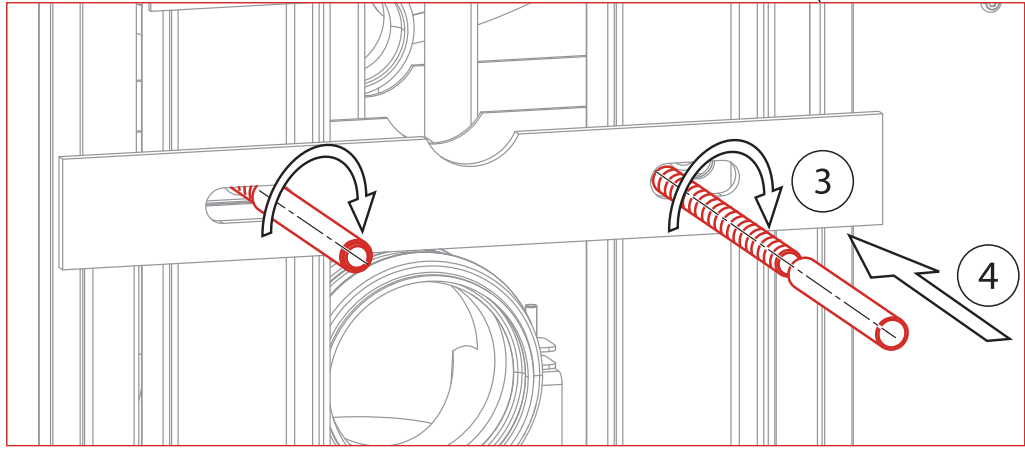
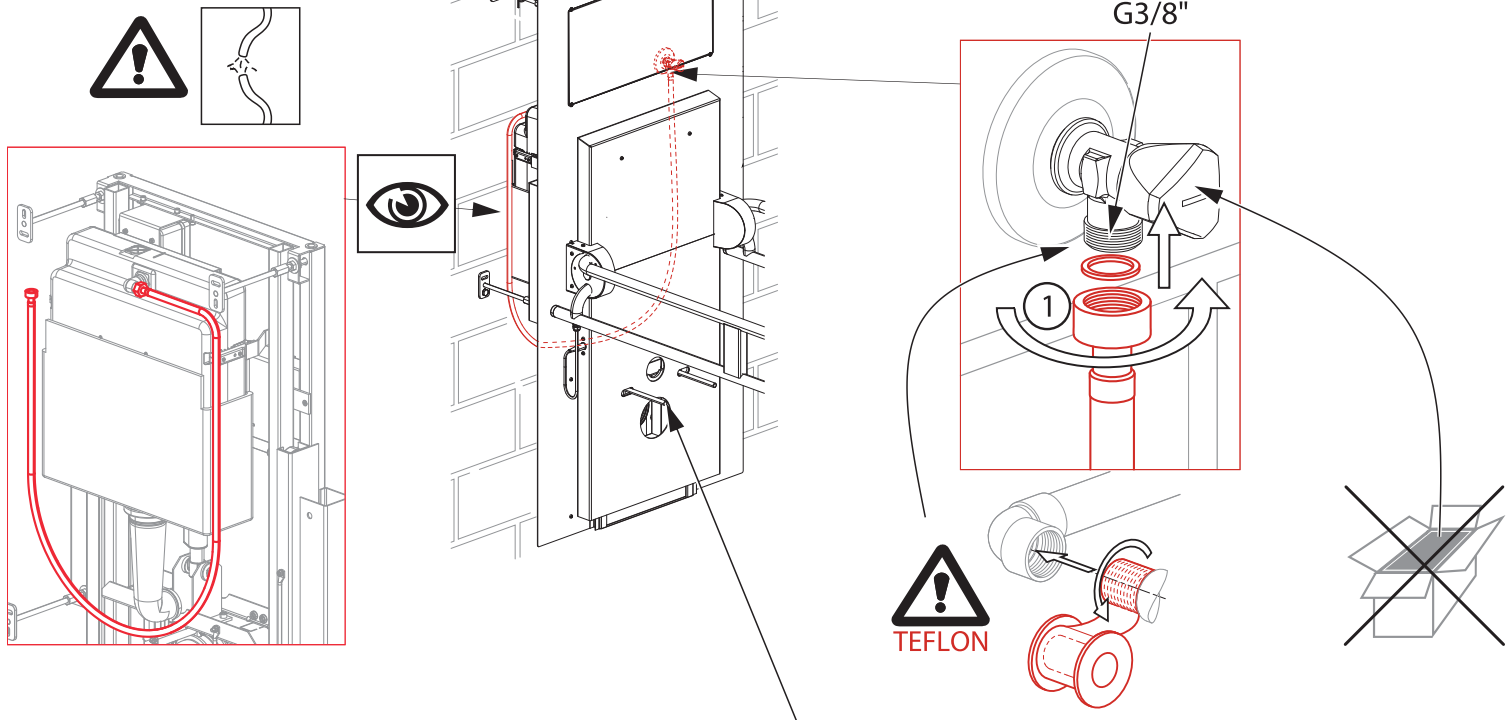
Possible use of the supplied anchoring material - see Table on page 20



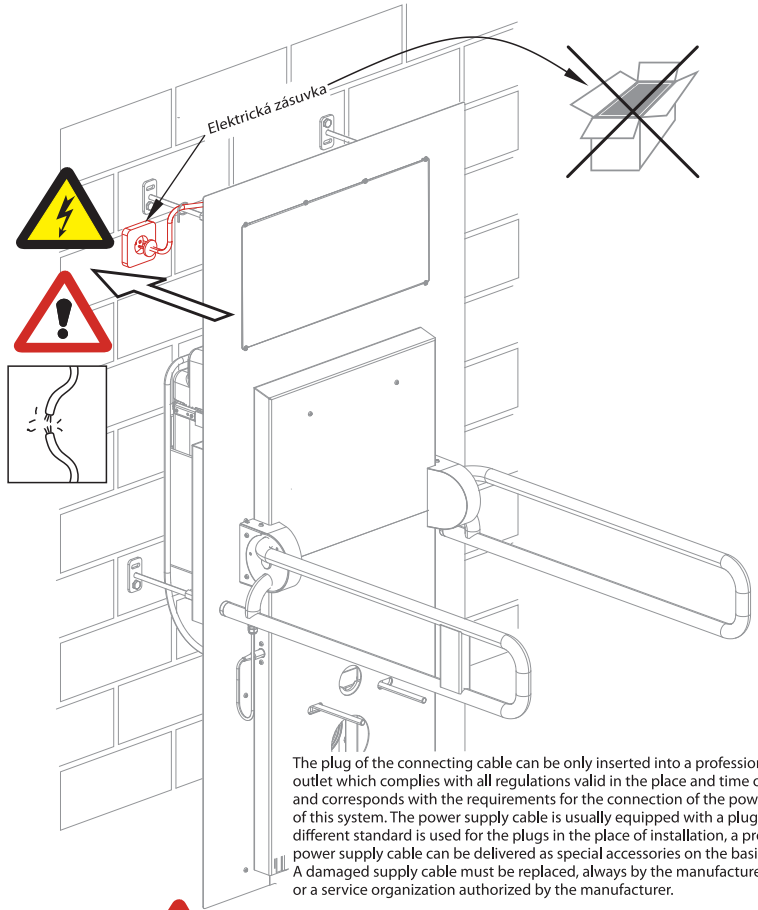
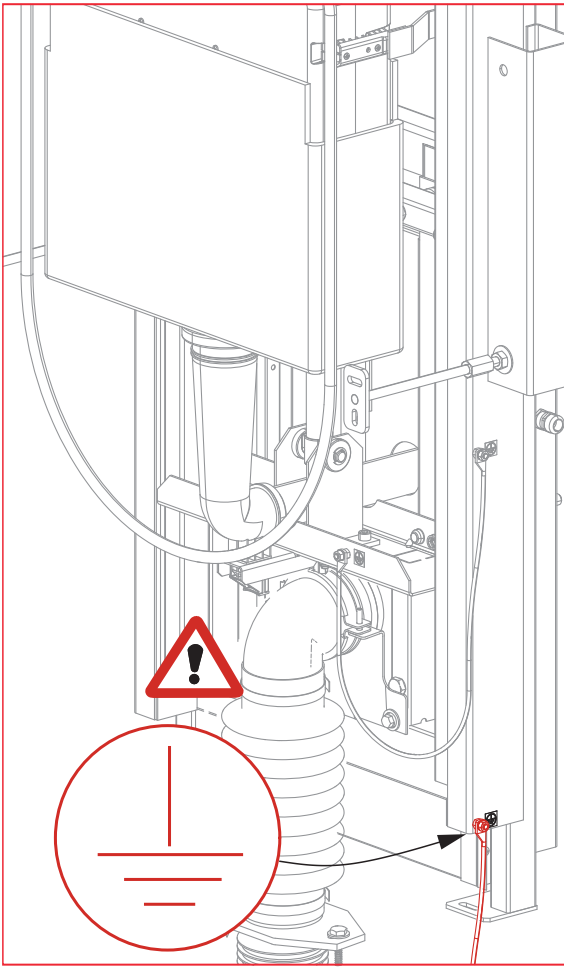
It is necessary to exclude an excessive load of the supply hose during movement of separate parts of this system, and to exclude a possibility of collision of the hose with any parts of the system. It could damage the hose.



Use only the original hose, which is part of the package of this product, for the water supply into the container.



8-7

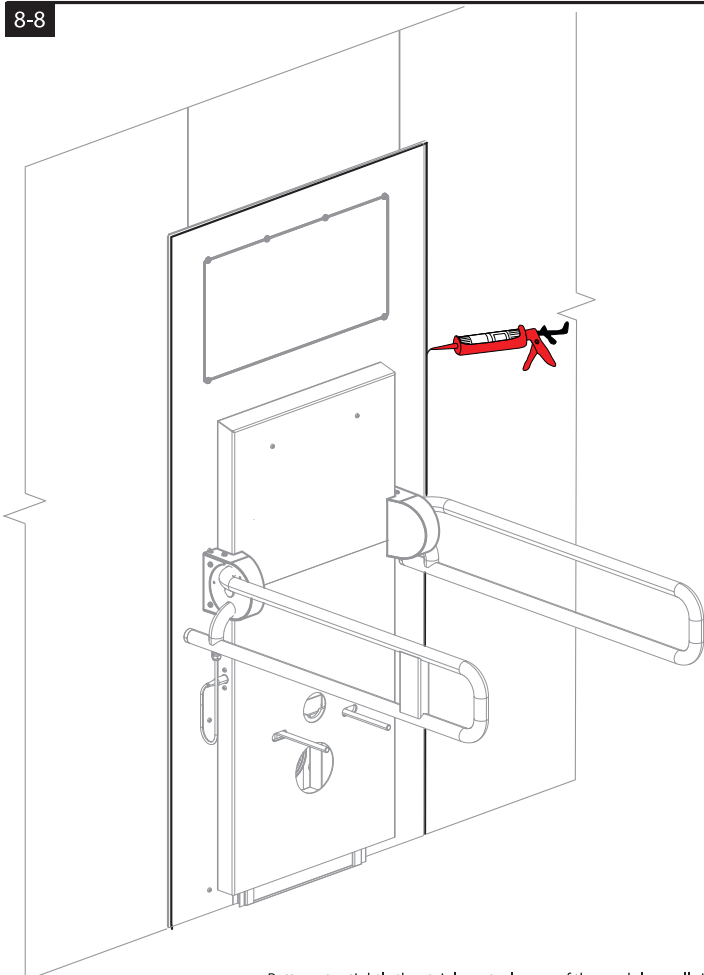


The plug of the connecting cable can be only inserted into a professionally-installed outlet which complies with all regulations valid in the place and time of installation and corresponds with the requirements for the connection of the power supply unit of this system. The power supply cable is usually equipped with a plug of C type. If a different standard is used for the plugs in the place of installation, a proper compatible power supply cable can be delivered as special accessories on the basis of an order. A damaged supply cable must be replaced, always by the manufacturer of this system or a service organization authorized by the manufacturer.



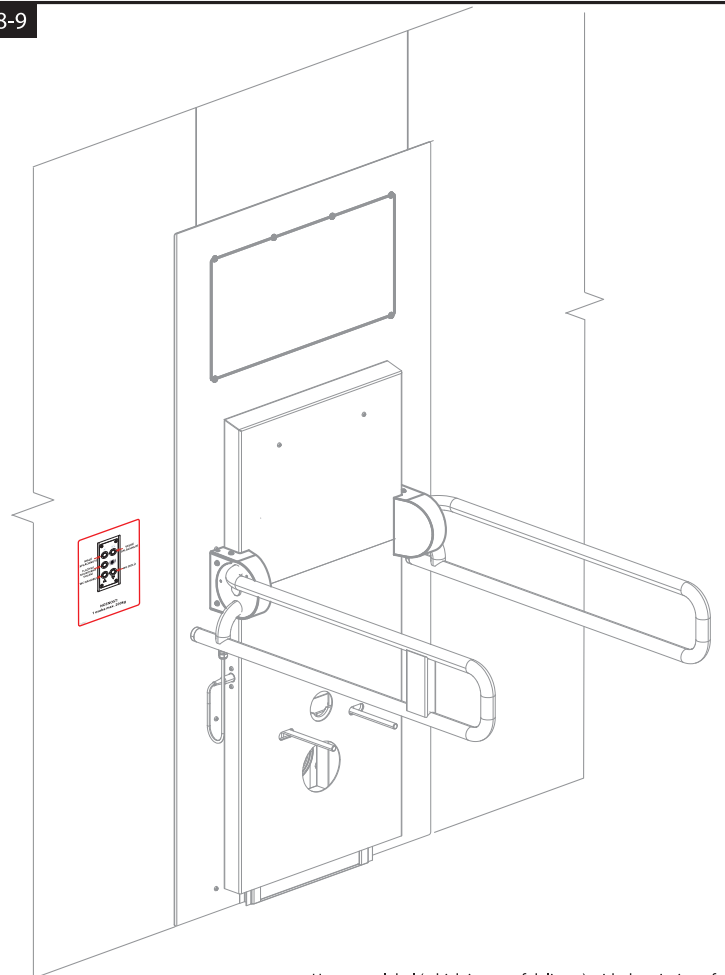
It is necessary to exclude collisions of the cable with any parts of the system. It could cause damage of the power supply cable and, thus, an electric injury. Analogically, it is necessary to check for all cabling of this product.

8-8



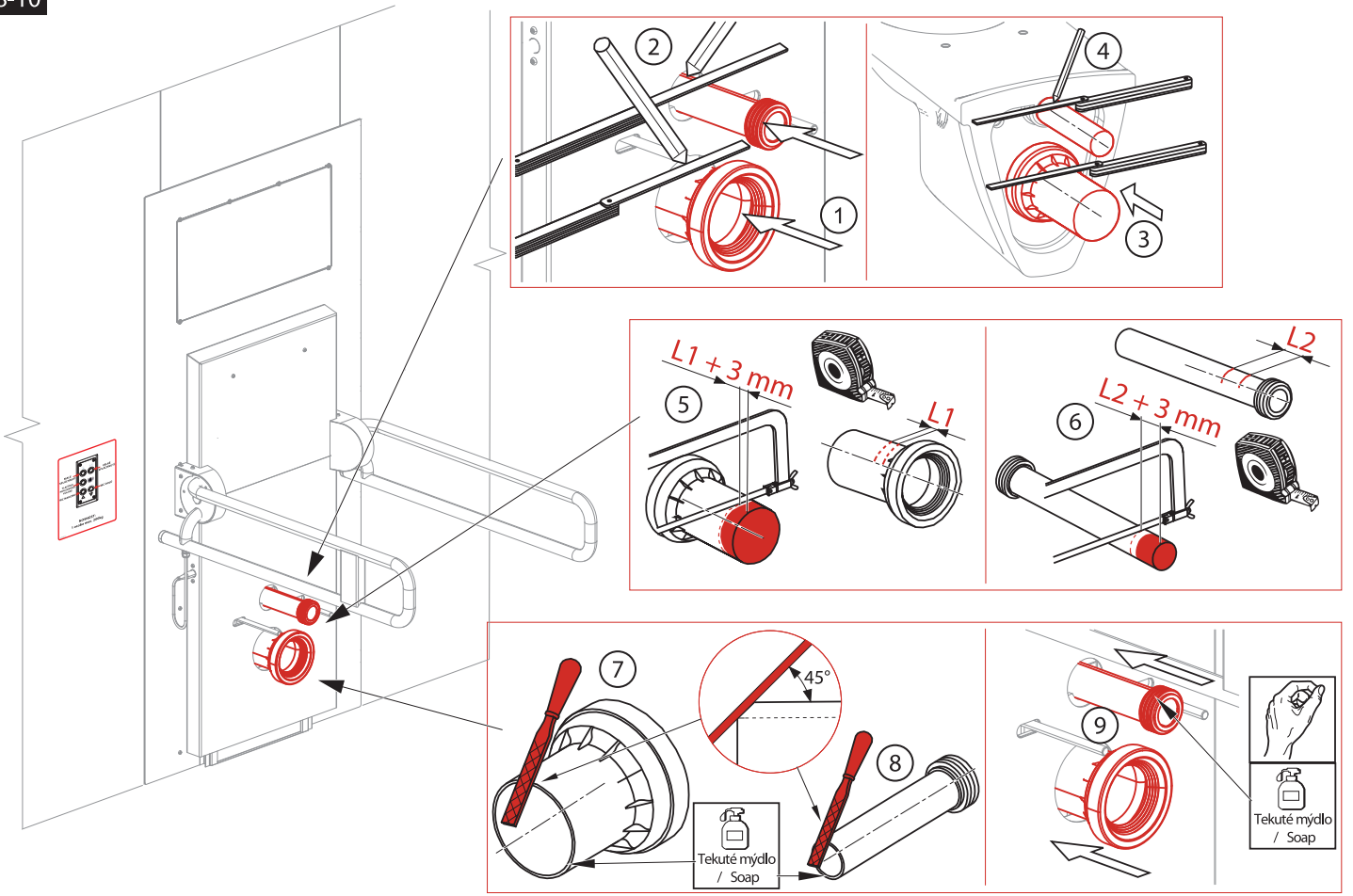
Putty water-tightly the stainless-steel cover of the module on all sides.

8-9

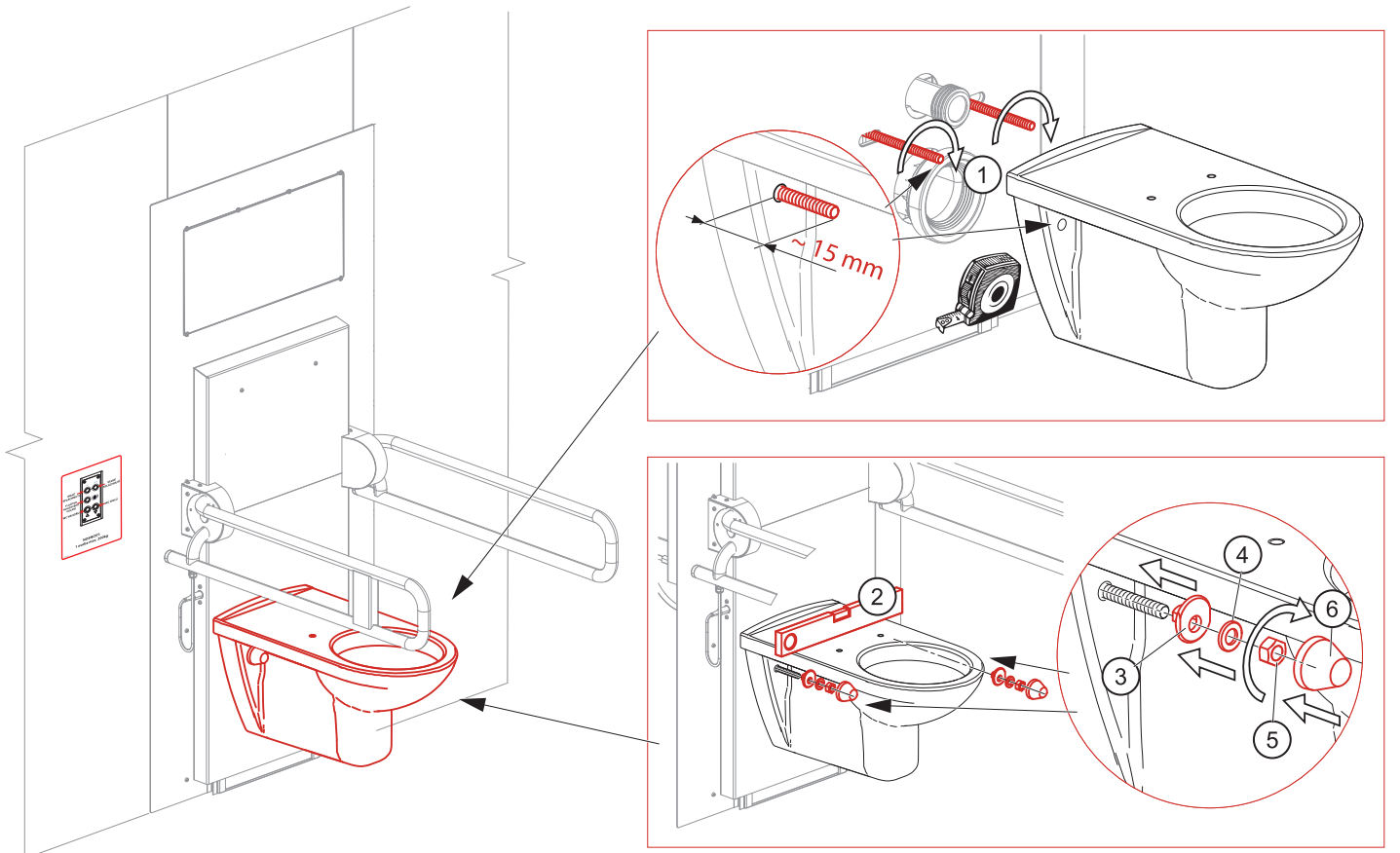


Hang up a label (which is part of delivery) with description of controls and an admissible load on a visible place.

8-10

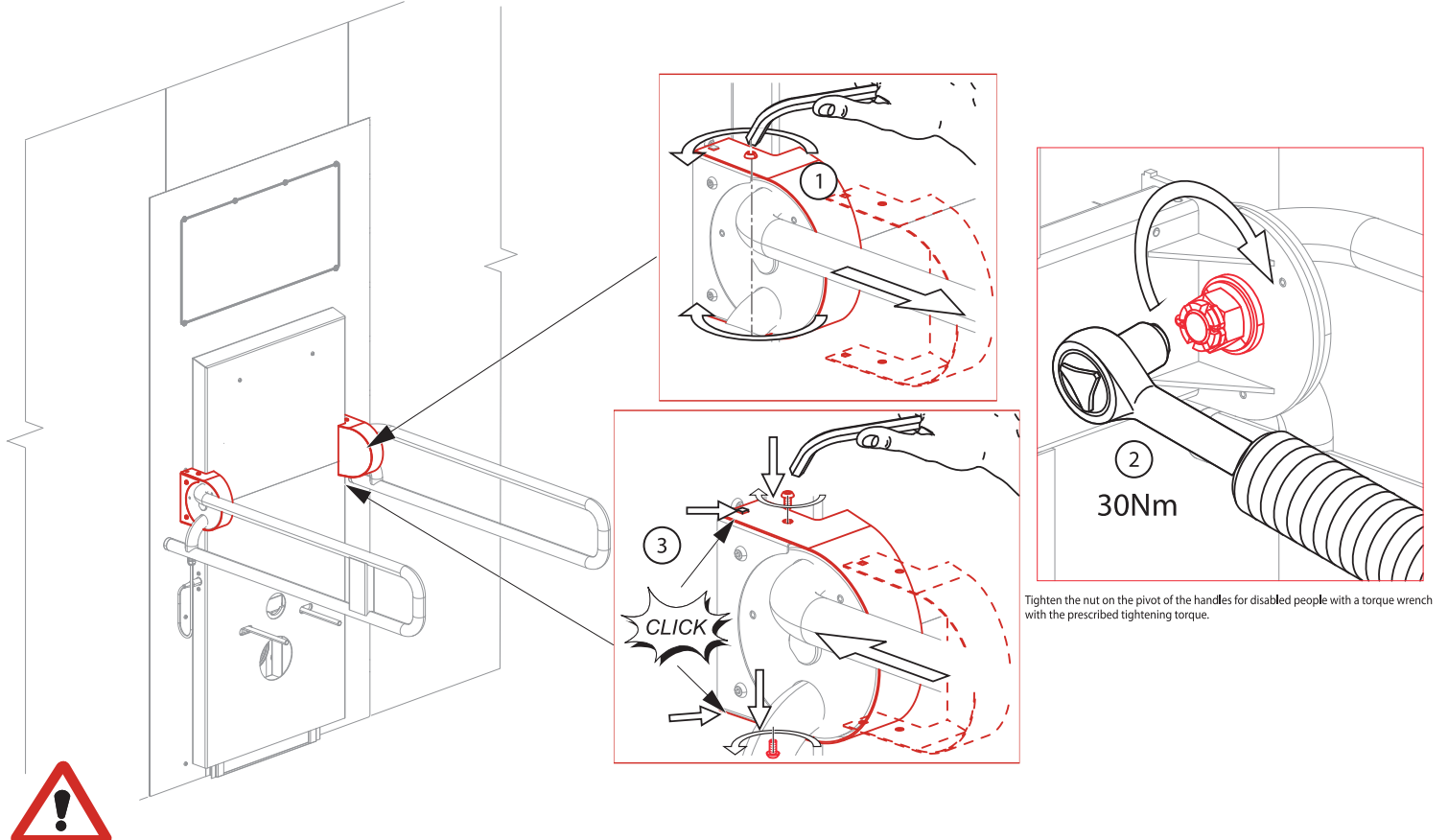


8-11



9) Adjustment of the spontaneous-fall brake for the handles for disabled people

9-1

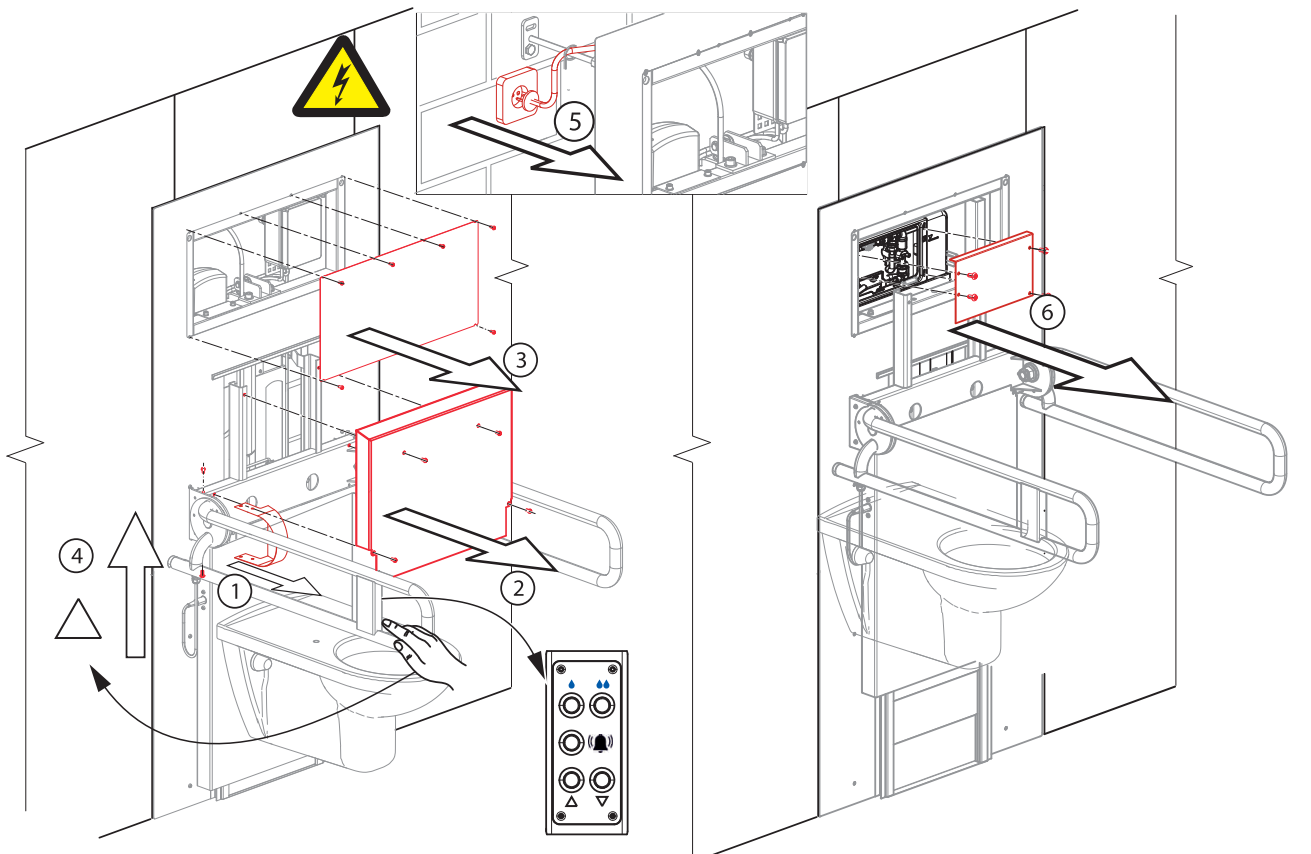


CHECK REGULARLY: The handle for disabled people has to keep its position and mustn't fall spontaneously. In the case of spontaneous falling the handle for disabled people, tighten the nut with the rated tightening torque.

10) Service of the system



Instructions how to start each service of the system



Before each work with the system (its service), isolate the system from power supply!

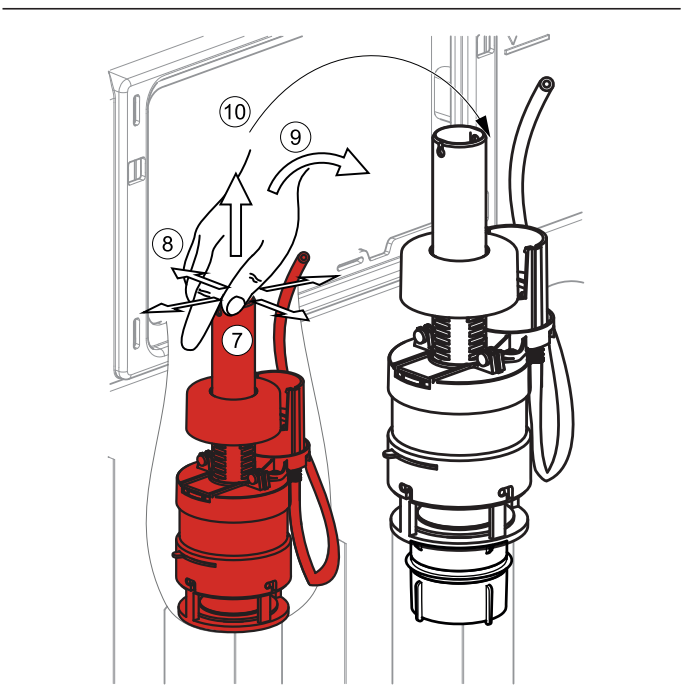
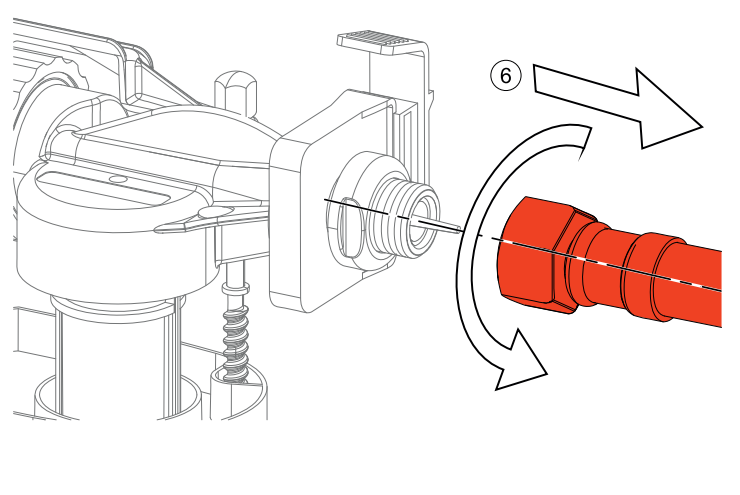
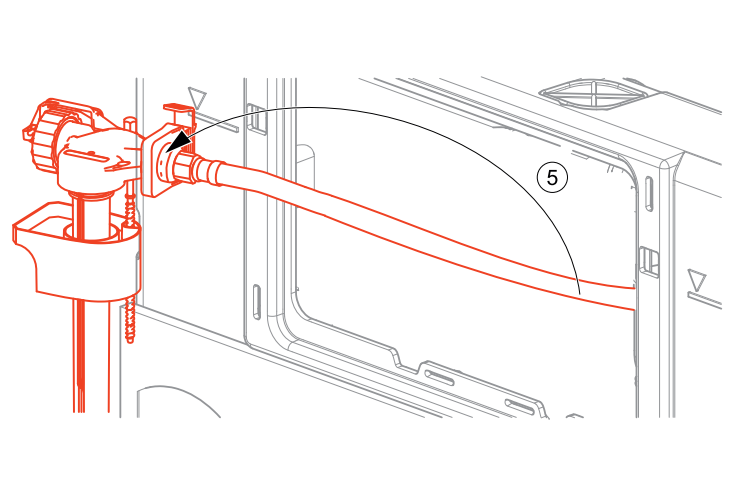
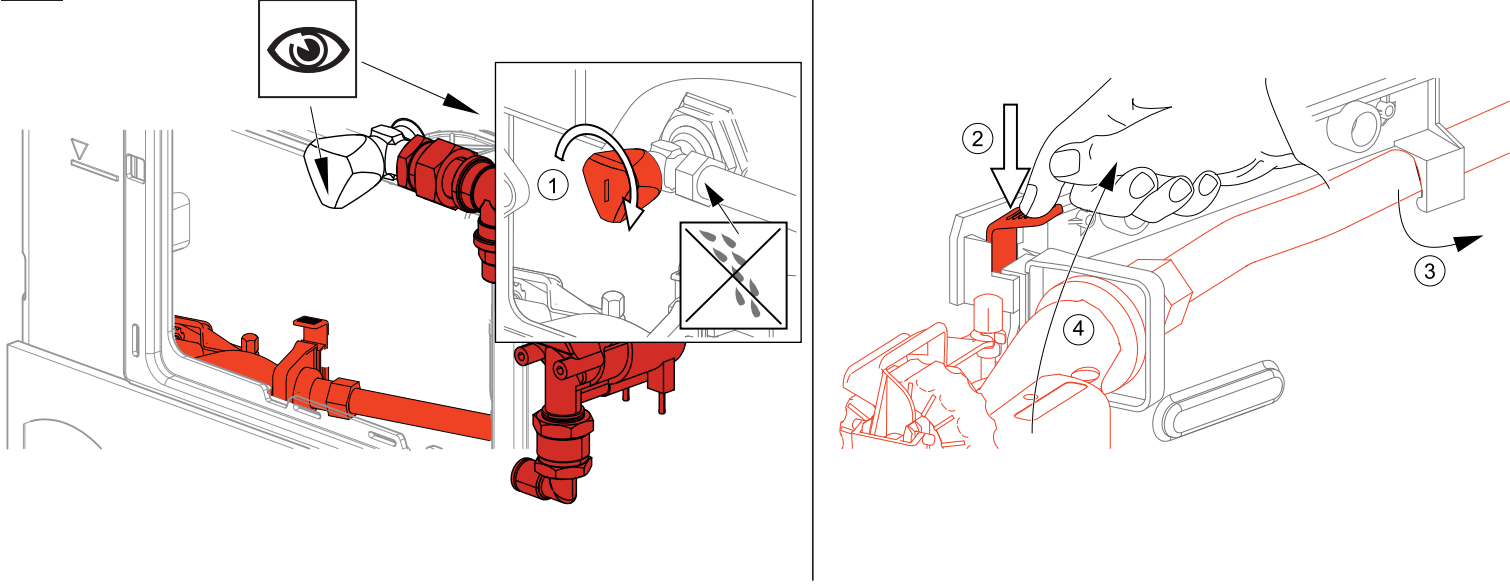
11) Service of armatures in the cistern of the module

11-1

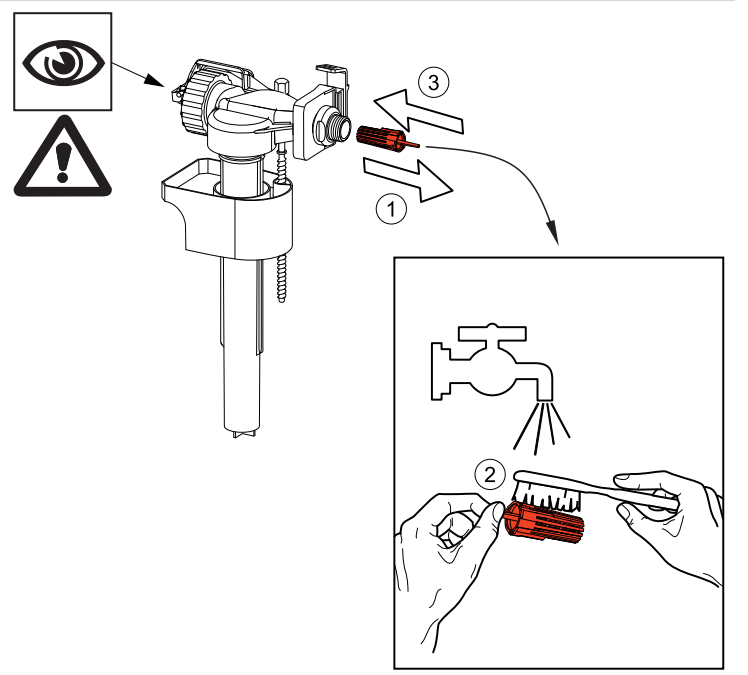
Start a service according to point 10



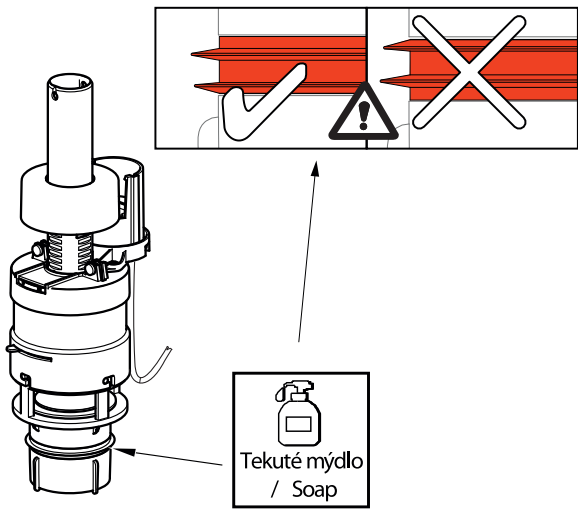
11-2



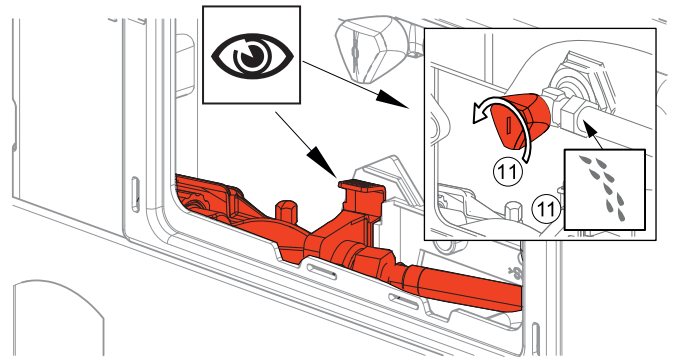
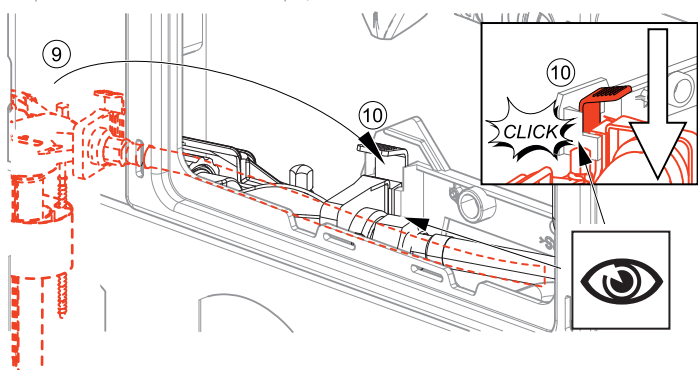
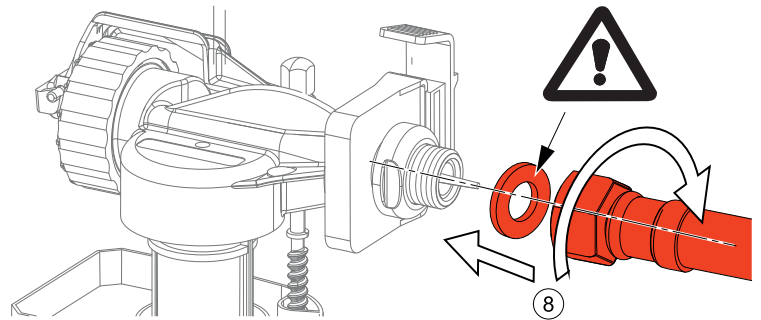
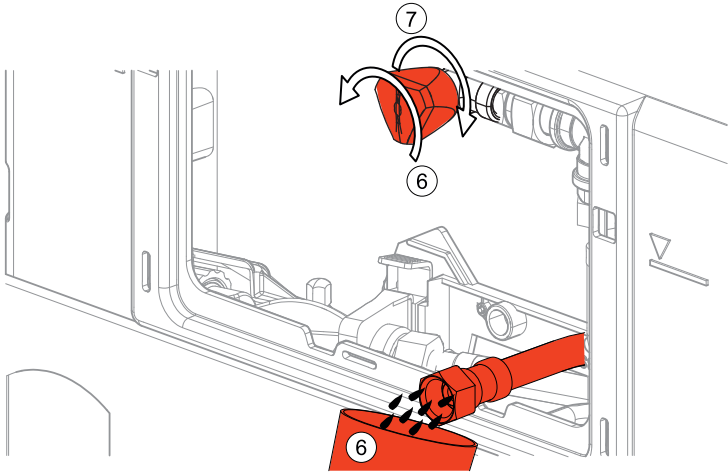
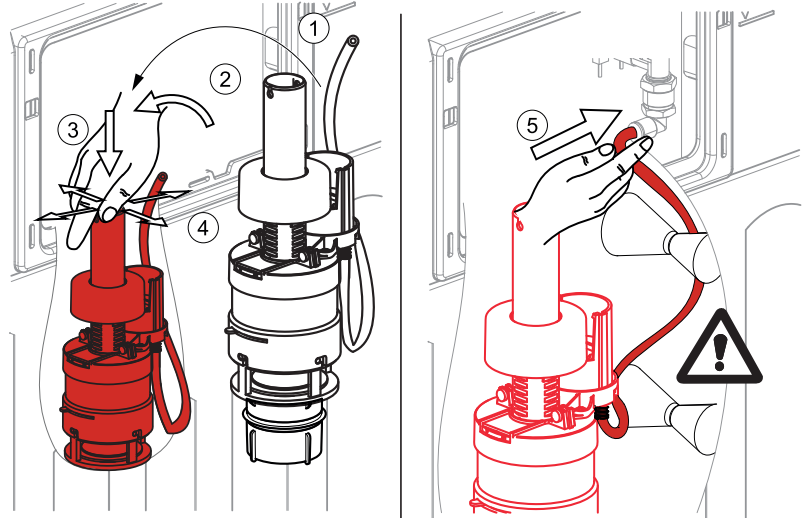
11-3



11-4



11-5



11-6

Finish the service according to point 15



12) Service maintenance - Replacement of flexible waste pipe (MN0771-ND) of WC module AM101/1500L

Check the condition of the flexible waste pipe at regular intervals, every 6 months. In case of any damage, the flexible drain pipe should be replaced.
(spare part number **MN0771-ND**).

The seller provides the buyer on a flexi waste pipe for AM101/1500L module a shortened warranty of 24 calendar months. The buyer is not entitled assert the right of a defect that occurs on the flexi waste pipe after the expiry of 24 calendar months from the takeover, as this is due to the nature of the matter. The buyer is obliged to follow the instructions of the seller for inspection, maintenance and replacement of flexi waste pipes specified in the Service Manual.

Process according to

Supplementary instructions **MN0694 - Replacement of flexible waste pipe (MN0771-ND) for WC module AM101/1500L** (included in packaging)

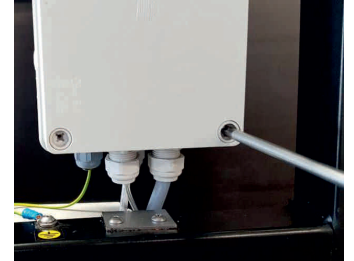
13) Adjustment of the flushing volume

1. Demount the service window cover and isolate it from supply according to point 10

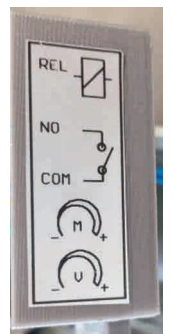
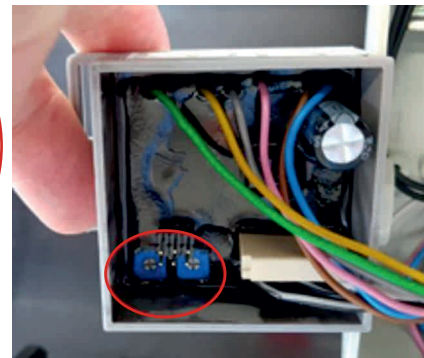


Attention! Electric equipment! It is prohibited to work with electric wiring!

2. Demount the wiring box cover - **K1**



3. Unhook the box with **MN0549** the electronics from the wiring box

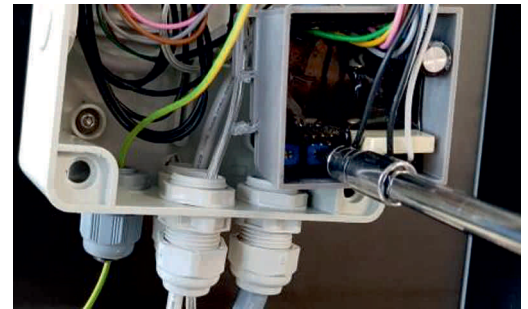


4. Regulate water volume for flushing by means of rotation of the trimmer. Rotate the trimmer to the left (-) to decrease volume.

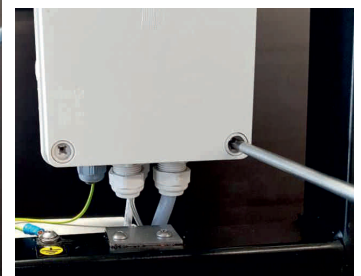
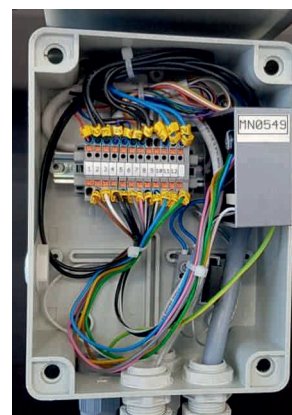
Rotate the trimmer to the right (+) to volume increase

V - Setting of the volume for BIG flush

M - Setting of the volume for SMALL flush



5. Insert the **MN0549** electronics back to the lath in the wiring box - **K1**
6. Close the wiring box **K1**



7. Connect to the electric network and install the WC module covering according to point 15.

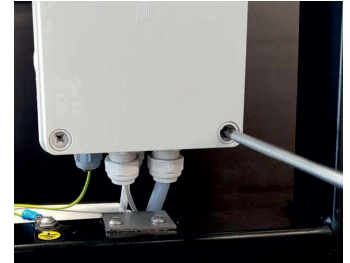


14) Connection of the alarm button

1. Demount the service window cover and isolate it from power supply according to point 10



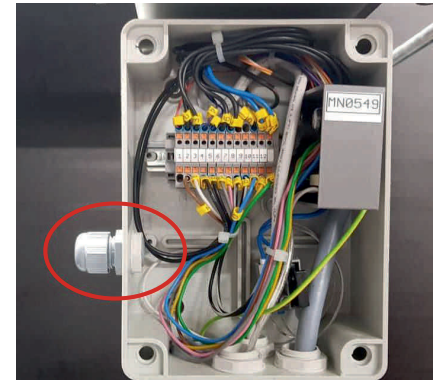
2. Demount the wiring box cover - **K1**



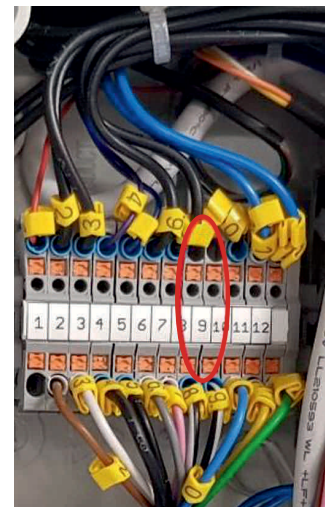
3. Install a cable gland **PG9** (is not part of the package) into the wiring box **K1**, which serves for a cable from the hospital signalization system.



Installation of the cable gland PG9 and connection of the cable from the hospital signalization system with a terminal block has to be only performed by an electrician with a valid authorization. According to the legislation and regulations of the given state which are valid in the place and time of installation of the system, and at the same time properly trained directly by the manufacturer of the system. It is necessary to install the cable gland to keep the protection level of the wiring box.



4. Connect the connecting cable of the hospital signalization system to the terminal block **X1**. Perform it according to the electric wiring diagram of the terminal block **X1** of the wiring box **K1** - see the manual, **point 18.2 Terminal block**



5. Close the wiring box **K1**



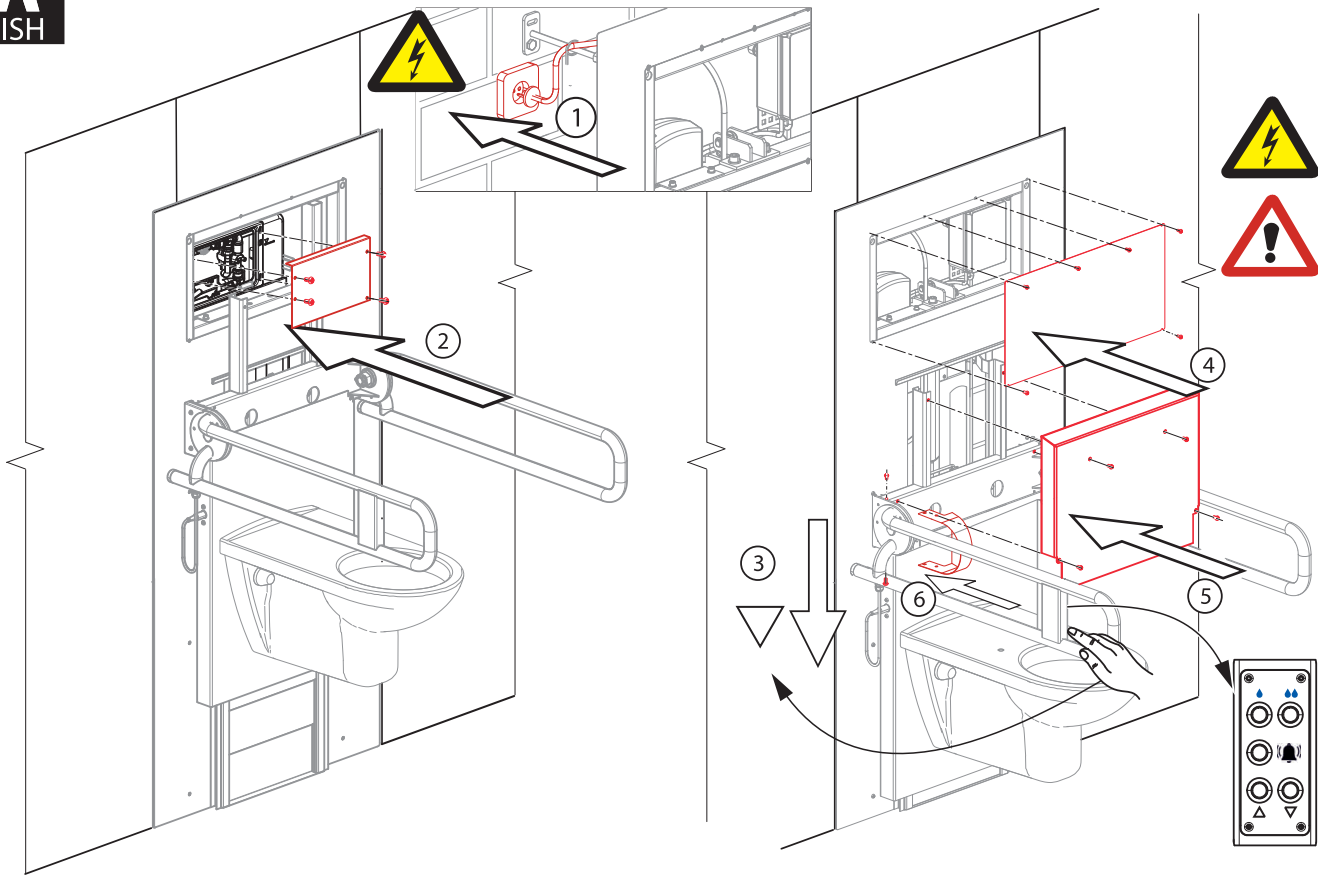
6. Connect to the electric network and install the WC module covering according to point 15.



15) Covering after service



Instructions how to finish each service of the system.



16) The use of the system

After finishing each service, before commissioning, it is necessary to screw all covers with the help of all delivered screws.



- **While lowering the system, don't put your legs under the WC pan!**

- During using the system, place your legs in front of the WC pan according to Fig. 2.

- Children, people with mental or physical disability mustn't manipulate with the system independently. These persons can only use the system under supervision of a responsible person.

- The handle serves as a support only in a horizontal position. The handles are not fixed against movement in other positions. Danger of injury!



Nevhazovat ostré předměty!



Pozor na pohybující se části zařízení, hrozí nebezpečí skřípnutí nebo stlačení.

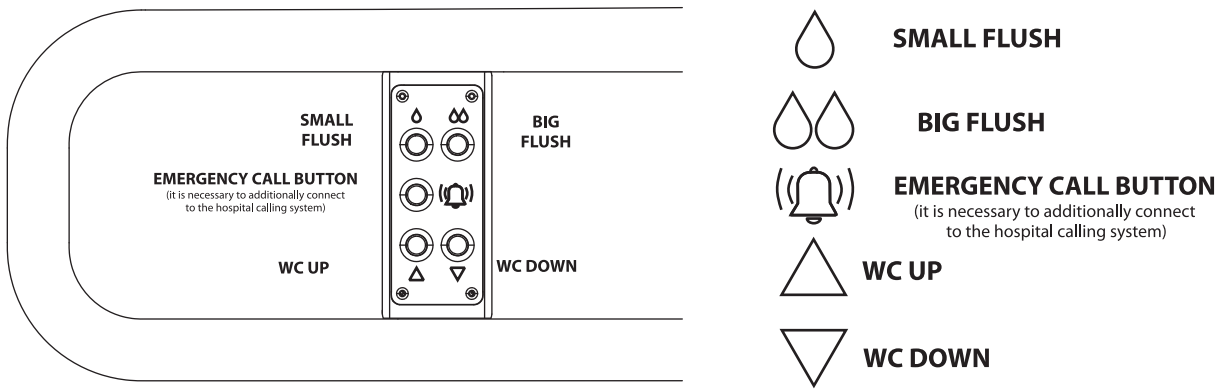


Fig.1

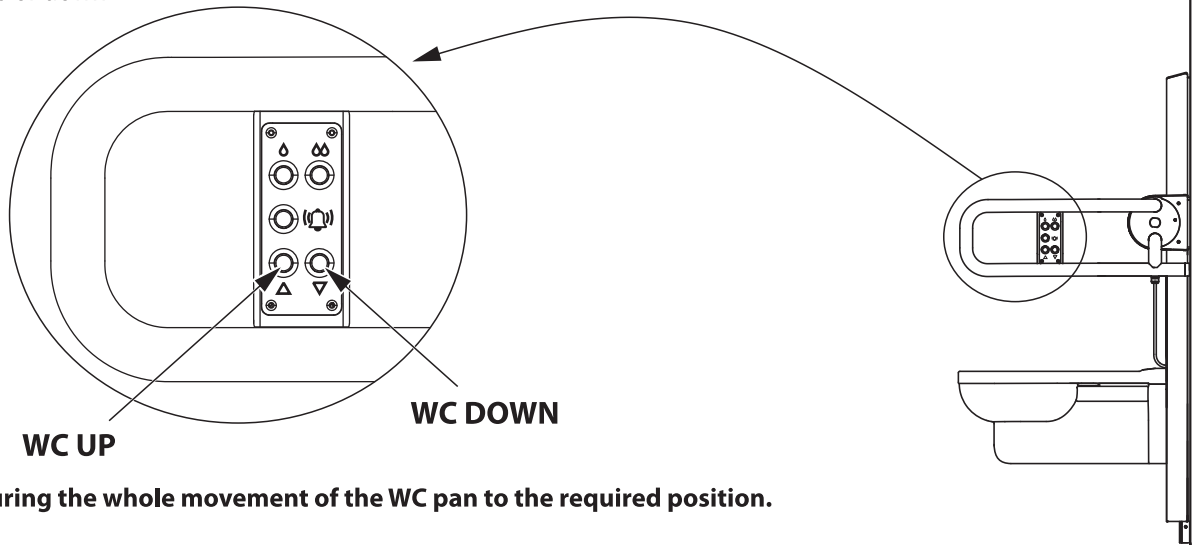


Fig.2

17) Control of the WC module



a) Displacement of the WC up or down

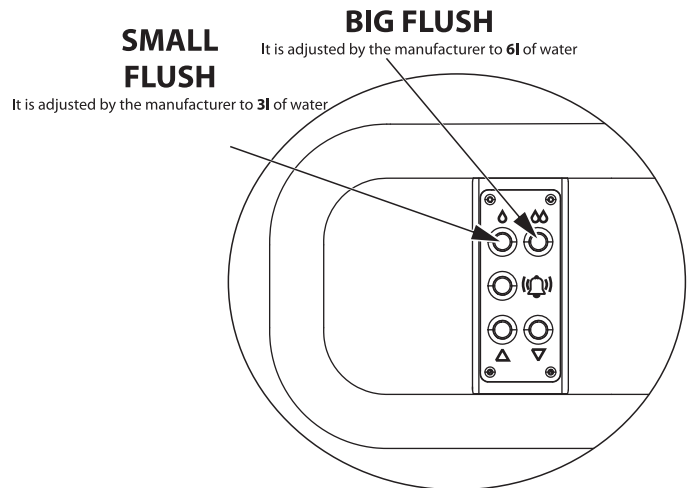


Hold the button pressed during the whole movement of the WC pan to the required position.

b) Small and big WC flush

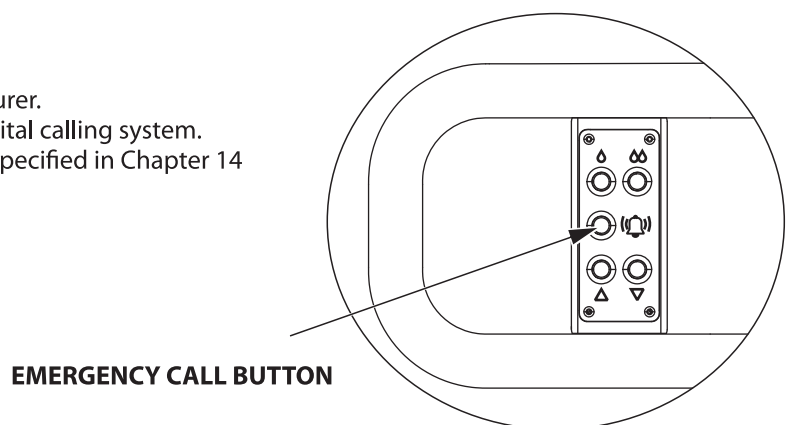
To start flushing, hold the button pressed at least for 2 sec.

-A user can adjust flushing water volume - see Chapter 13



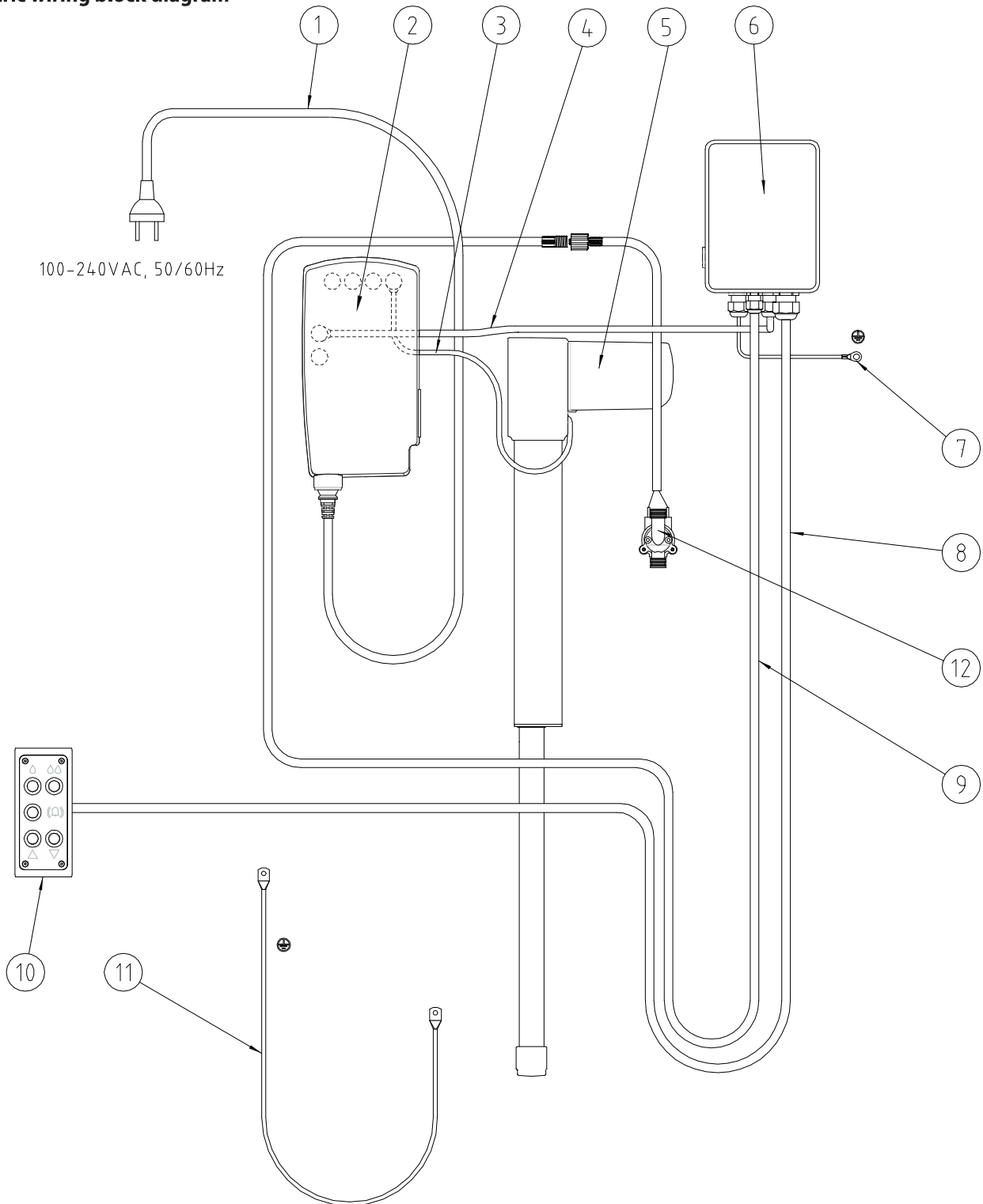
c) Emergency call button

The emergency call button is not connected by the manufacturer. The button has to be connected during mounting to the hospital calling system. The procedure of the connection of the system electronics is specified in Chapter 14

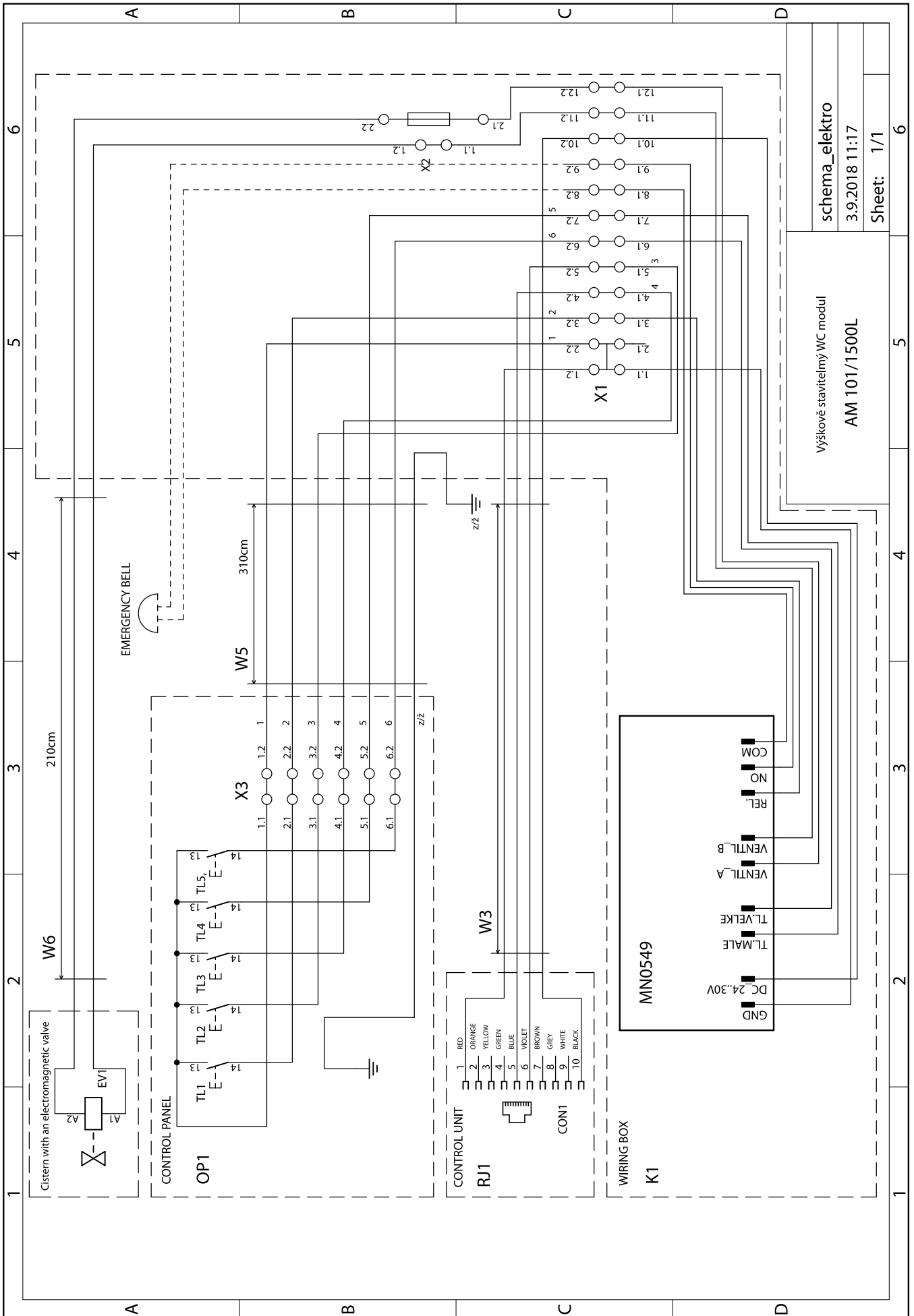


18) Electric wiring system

18.1 Electric wiring block diagram



ELECTRIC WIRING BLOCK SCHEME OF THE AM 101/1500L WC MODULE	
POSITION	NAME
1	W1 - CONTROL UNIT FEED CABLE (230AC)
2	RJ1 - CONTROL UNIT WITH THE FEEDING TRANSFORMER
3	W2 - INTERCONNECTING CABLE BETWEEN THE DRIVE AND THE CONTROL UNIT
4	W3 - INTERCONNECTING CABLE BETWEEN THE WIRING BOX AND THE CONTROL UNIT
5	P1 - LINEAR DRIVE (AKTUATOR)
6	K1 - WIRING BOX (CONTROL PANEL TERMINAL BOARD AND WC FLUSING CONTROL ELECTRONICS)
7	W4 - CONTROL PANEL EARTHING CABLE
8	W5 - INTERCONNECTING CABLE BETWEEN THE CONTROL PANEL AND THE WIRING BOX
9	W6 - INTERCONNECTING CABLE BETWEEN THE ELECTROMAGNETIC VALVE IN THE CISTERN AND THE WIRING BOX
10	OP1 - CONTROL PANEL
11	W7 - INTERCONNECTING EARTHING CABLE BETWEEN THE FIRM AND MOVABLE FRAME
12	EV1 - WC RESERVOIR ELECTROMAGNETIC VALVE FOR FLUSHING CONTROL



schema_elektro

3.9.2018 11:17

Sheet: 1/1

Výškové staviteľný WC modul

AM 101/1500L

MIN0549

19) Utilization of the system

Before the utilization, isolate the product from water and electric supply. Further, cut-off the power cord so that it cannot be used.



1. If a symbol of a movable container in a crossed field is placed on the product, it means that the product is a subject of the 2002/96/EC European Union Directive.
2. All electric and electronic products should be disposed separately from usual communal waste by means of collecting organizations founded for this purpose by the government or municipal government.
3. A correct method of utilization of an electric consumer helps to prevent from possible negative impacts to the living environment and health.
4. Detailed information about utilization of an old consumer can be obtained in the municipal government or in the shop in which you bought the product.

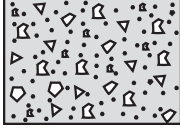
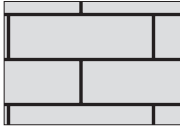
20) ES Declaration of conformity

Medic Assistant complies with all standards required by the Czech and European legislation



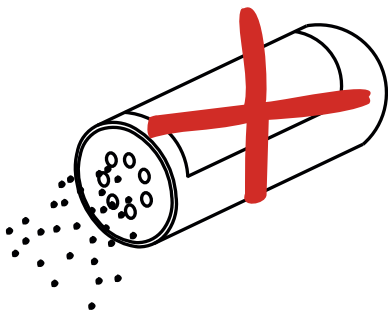
European	Czech legislation
2014/30/EU	NV 117/2016
2014/35/EU	NV 118/2016
2011/65/EU	NV 481/2012
2006/42/ES	NV 176/2008
2011/305/EU	
EN14055	ČSN EN14055

The method of anchorage of the AM101/1500L module depends on the anchoring foundation

Wall structure	Wall plug	Wall screw size
Concrete \geq C20/C25 	6ks Fischer SX 12x60 Is part of the product package	6ks Vrut 10x80 DIN 571 Is part of the product package
Solid brick \geq Mz12 	6ks Fischer SX 12x60 Is part of the product package	6ks Vrut 10x80 DIN 571 Is part of the product package

For other structures of the brickwork

The supplied anchorage material is prohibited to use for other type of the structure of the bearing wall.
Please consult a proper type of anchoring material with their supplier.



ZIRAVINA / CAUSTIC / CI

